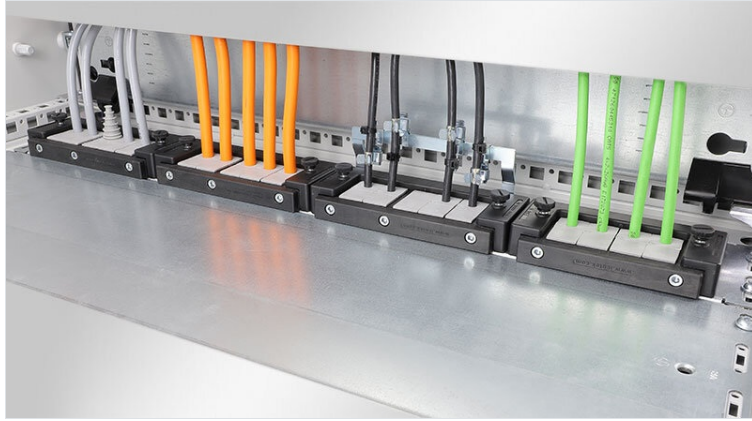


KDR-ESR

Rittal, nVent Hoffman & Häwa / IP54



KDR-ESR is a terminal block for connecting cables to the back of a rack. It is designed for use with Rittal, nVent Hoffman & Häwa products.

KEL terminals are used for connecting cables to the back of a rack. The KDR-ESR terminal block is designed for use with KEL terminals. The KDR-ESR terminal block is designed for use with KEL terminals. The KDR-ESR terminal block is designed for use with KEL terminals.

KDRS is a terminal block for connecting cables to the back of a rack. It is designed for use with Rittal, nVent Hoffman & Häwa products.

IP54

HL3
EN 45545-2

RoHS
compliant

REACH
compliance

Made in
Germany

IP rating (EN 60529)	IP54
	ESR terminal block
	UL94-V0, flame retardant
	-40 C° to 90 C°
	ESR terminal block
ESR terminal block	ESR terminal block

ESR terminal block

- ESR terminal block
- ESR terminal block
- ESR terminal block
- ESR terminal block
- ESR terminal block

ESR terminal block

KDR-ESR-VX25-600-44500

EAN

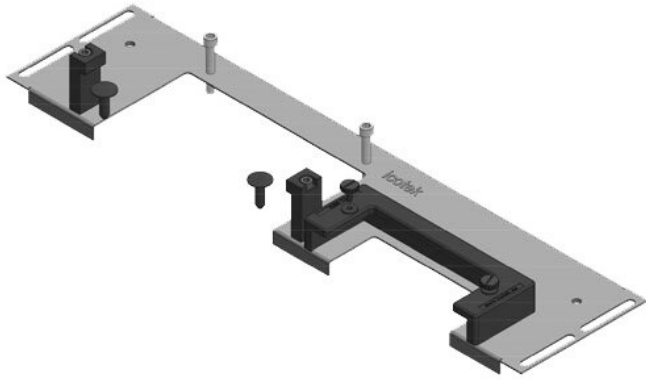
44500
4251269319754
1
488 mm
100 mm
43 mm
488 mm

ESR terminal block
ESR terminal block
ESR terminal block
ESR terminal block

600 mm
452 mm
2 x KEL-U 24 / KEL-QUICK 24
Rittal VX25



KDR-ESR-VX25-600-44501



EAN

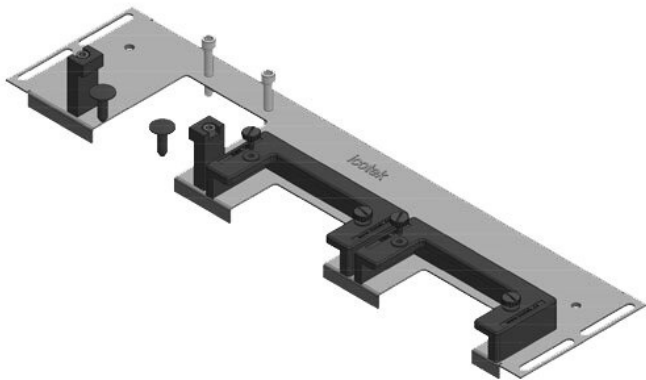
44501
4251269319761
1
488 mm
120 mm
57 mm
488 mm

□□□□ □□
□□ □□□ □□
□□ :

□□□□□ □□

600 mm
452 mm
1 × KEL-U 24 / KEL-
QUICK 24, 1 × KEL-
JUMBO 2
Rittal VX25

KDR-ESR-VX25-600-44502



EAN

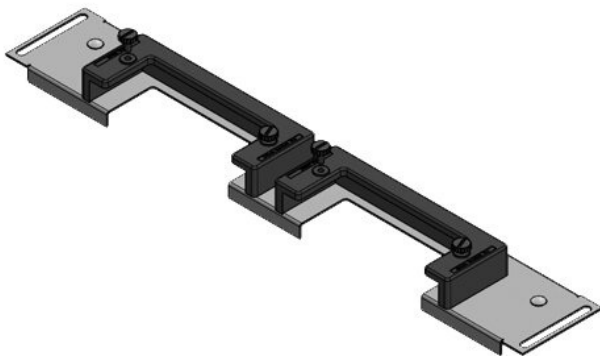
44502
4251269319778
1
488 mm
120 mm
57 mm
488 mm

□□□□ □□
□□ □□□ □□
□□ :

□□□□□ □□

600 mm
452 mm
2 × KEL-U 16 / KEL-
QUICK 16, 1 × KEL-
JUMBO 1
Rittal VX25

KDRS-ESR-VX25-600-44512



EAN

44512
4251269321108
1
488 mm
75 mm
44 mm
488 mm

□□□□ □□
□□ □□□ □□
□□ :

□□□□□ □□

600 mm
452 mm
2 × KEL-U 24 / KEL-
QUICK 24
Rittal VX25

KDR-ESR-VX25-800-44503

EAN

44503
4251269319785
1
688 mm
100 mm
43 mm
688 mm

□□□□ □□
□□ □□ □□
□□ :

□□□□ □□

800 mm
652 mm
3 × KEL-U 24 / KEL-
QUICK 24, 1 × KEL-
U 16 / KEL-QUICK
16
Rittal VX25



KDR-ESR-VX25-800-44504

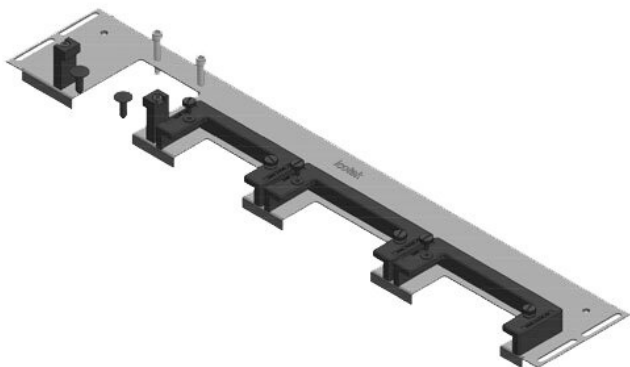
EAN

44504
4251269319792
1
688 mm
120 mm
57 mm
688 mm

□□□□ □□
□□ □□ □□
□□ :

□□□□ □□

800 mm
652 mm
2 × KEL-U 24 / KEL-
QUICK 24, 1 × KEL-
U 16 / KEL-QUICK
16, 1 × KEL-JUMBO
1
Rittal VX25



KDR-ESR-VX25-800-44505

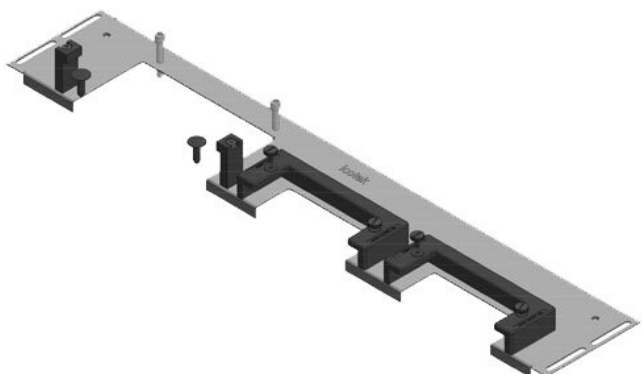
EAN

44505
4251269319808
1
688 mm
120 mm
57 mm
688 mm

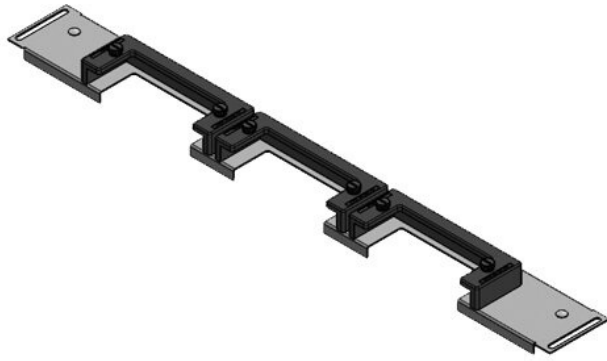
□□□□ □□
□□ □□ □□
□□ :

□□□□ □□

800 mm
652 mm
2 × KEL-U 24 / KEL-
QUICK 24, 1 × KEL-
JUMBO 2
Rittal VX25



KDRS-ESR-VX25-800-44513



EAN

44513
4251269321115
1
688 mm
75 mm
43 mm
688 mm

□□□□ □□
□□ □□ □□
□□ :
□□□□ □□

800 mm
652 mm
3 × KEL-U 24 / KEL-QUICK 24
Rittal VX25

KDR-ESR-VX25-1000-44506



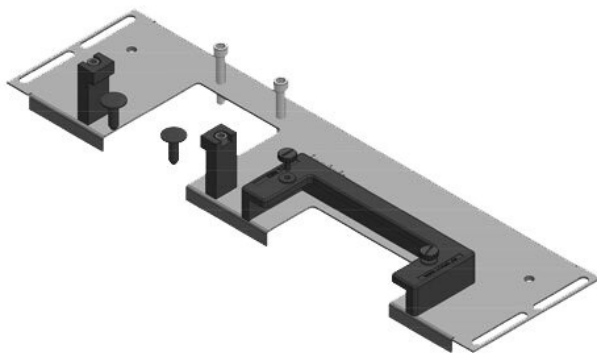
EAN

44506
4251269319815
1
438 mm
100 mm
43 mm
438 mm

□□□□ □□
□□ □□ □□
□□ :
□□□□ □□

1.000 mm
402 mm
2 × KEL-U 24 / KEL-QUICK 24
Rittal VX25

KDR-ESR-VX25-1000-44507



EAN

44507
4251269319822
1
438 mm
120 mm
57 mm
438 mm

□□□□ □□
□□ □□ □□
□□ :
□□□□ □□

1.000 mm
402 mm
1 × KEL-U 24 / KEL-QUICK 24, 1 × KEL-JUMBO 1
Rittal VX25

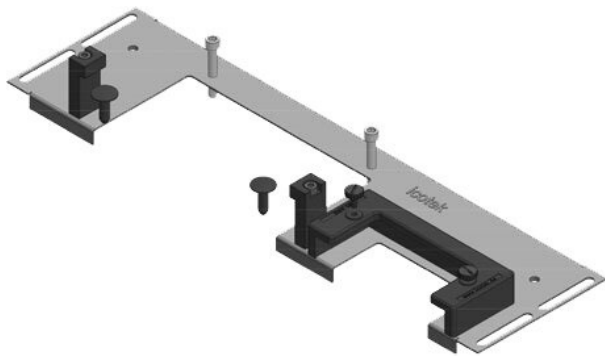
KDR-ESR-VX25-1000-44508

EAN

44508
4251269319839
1
438 mm
120 mm
57 mm
438 mm

□□□□ □□
□□ □□ □□
□□ :
□□□□ □□

1.000 mm
402 mm
1 × KEL-U 16 / KEL-
QUICK 16, 1 × KEL-
JUMBO 2
Rittal VX25



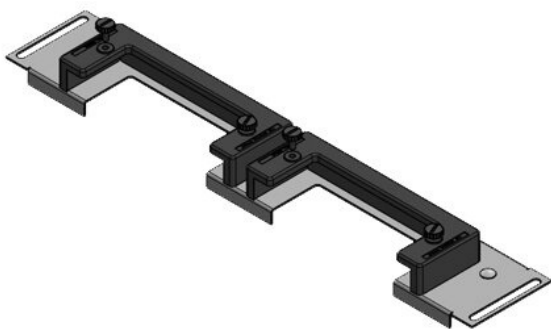
KDRS-ESR-VX25-1000-44514

EAN

44514
4251269321122
1
438 mm
75 mm
44 mm
438 mm

□□□□ □□
□□ □□ □□
□□ :
□□□□ □□

1.000 mm
402 mm
2 × KEL-U 24 / KEL-
QUICK 24
Rittal VX25



KDR-ESR-VX25-1200-44509

EAN

44509
4251269319846
1
538 mm
100 mm
43 mm
538 mm

□□□□ □□
□□ □□ □□
□□ :
□□□□ □□

1.200 mm
502 mm
3 × KEL-U 24 / KEL-
QUICK 24
Rittal VX25



KDR-ESR-VX25-1200-44510

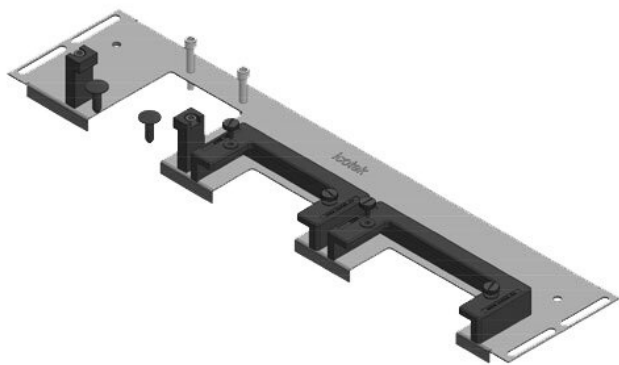
EAN

44510
4251269319853
1
538 mm
120 mm
57 mm
538 mm

□□□□ □□
□□ □□ □□
□□ :

□□□□ □□

1.200 mm
502 mm
1 × KEL-U 24 / KEL-
QUICK 24, 1 × KEL-
U 16 / KEL-QUICK
16, 1 × KEL-JUMBO
1
Rittal VX25



KDR-ESR-VX25-1200-44511

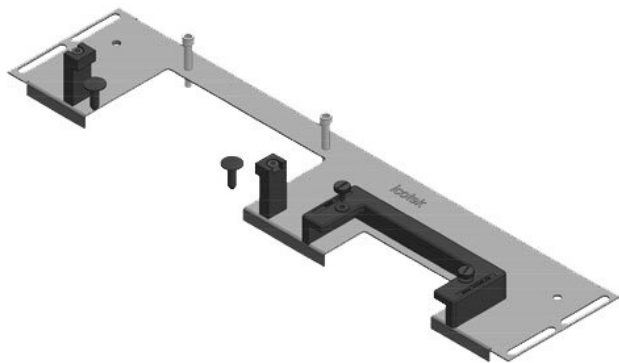
EAN

44511
4251269319860
1
538 mm
120 mm
57 mm
538 mm

□□□□ □□
□□ □□ □□
□□ :

□□□□ □□

1.200 mm
502 mm
1 × KEL-U 24 / KEL-
QUICK 24, 1 × KEL-
JUMBO 2
Rittal VX25



KDRS-ESR-VX25-1200-44515

EAN

44515
4251269321139
1
538 mm
75 mm
44 mm
538 mm

□□□□ □□
□□ □□ □□
□□ :

□□□□ □□

1.200 mm
502 mm
3 × KEL-U 24 / KEL-
QUICK 24
Rittal VX25



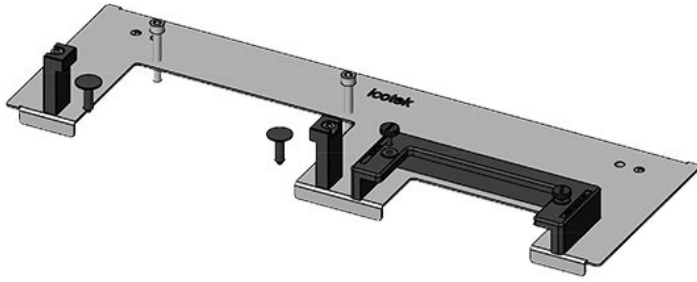
KDR-ESR-TS8-600-43070

EAN

43070
4251269309519
1
458 mm
150 mm
57 mm
458 mm

□□□□ □□
□□ □□ □□
□□ :
□□□□ □□

600 mm
435 mm
1 × KEL-U 24 / KEL-
QUICK 24, 1 × KEL-
JUMBO 2
Rittal TS 8



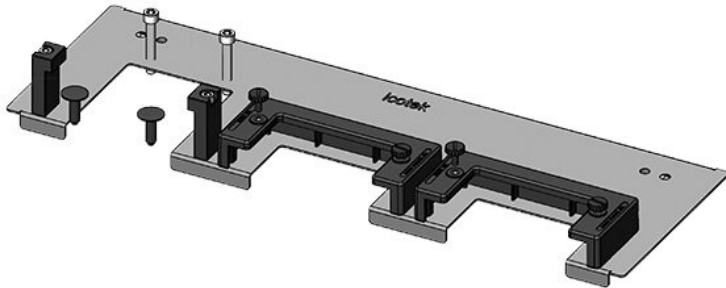
KDR-ESR-TS8-600-43071

EAN

43071
4251269309526
1
458 mm
150 mm
57 mm
458 mm

□□□□ □□
□□ □□ □□
□□ :
□□□□ □□

600 mm
435 mm
2 × KEL-U 16 / KEL-
QUICK 16, 1 × KEL-
JUMBO 1
Rittal TS 8



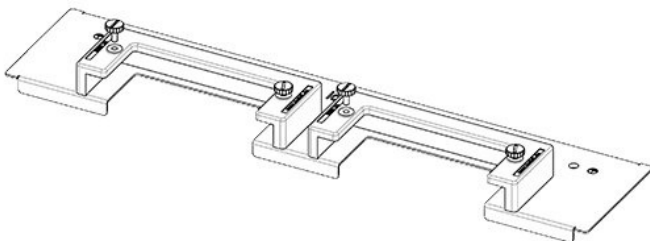
KDR-ESR-TS8-600-43079

EAN

43079
4251269309601
1
458 mm
100 mm
44 mm
458 mm

□□□□ □□
□□ □□ □□
□□ :
□□□□ □□

600 mm
435 mm
2 × KEL-U 24 / KEL-
QUICK 24
Rittal TS 8



KDR-ESR-TS8-800-43072

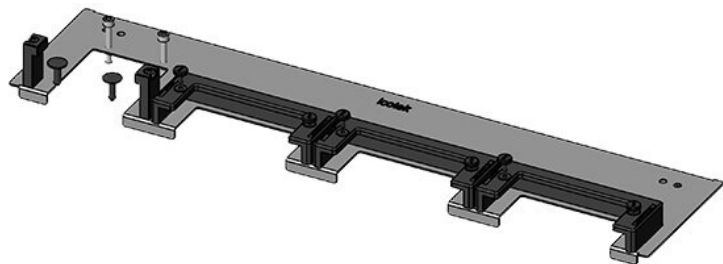
EAN

43072
4251269309533
1
658 mm
150 mm
57 mm
658 mm

□□□□ □□
□□ □□□ □□
□□ :

□□□□□ □□

800 mm
635 mm
3 × KEL-U 24 / KEL-
QUICK 24, 1 × KEL-
JUMBO 1
Rittal TS 8



KDR-ESR-TS8-800-43073

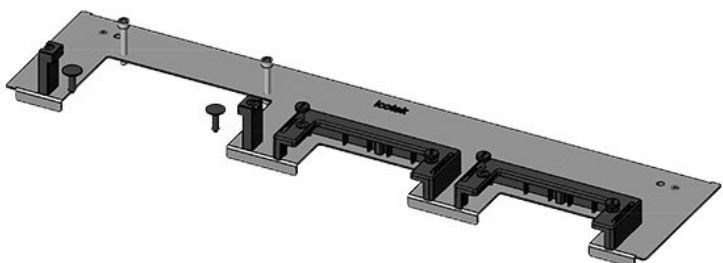
EAN

43073
4251269309540
1
658 mm
150 mm
57 mm
658 mm

□□□□ □□
□□ □□□ □□
□□ :

□□□□□ □□

800 mm
635 mm
2 × KEL-U 24 / KEL-
QUICK 24, 1 × KEL-
JUMBO 2
Rittal TS 8



KDR-ESR-TS8-800-43080

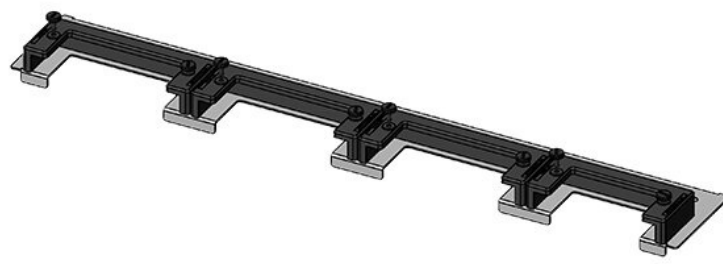
EAN

43080
4251269309618
1
658 mm
100 mm
44 mm
658 mm

□□□□ □□
□□ □□□ □□
□□ :

□□□□□ □□

800 mm
635 mm
3 × KEL-U 24 / KEL-
QUICK 24, 1 × KEL-
U 16 / KEL-QUICK
16
Rittal TS 8



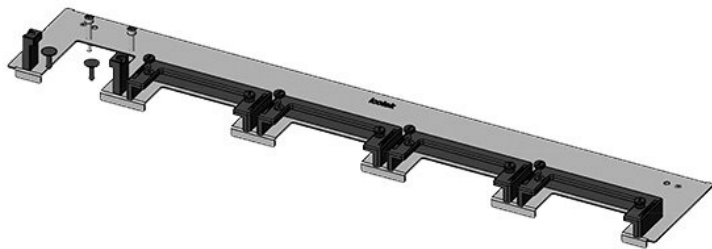
KDR-ESR-TS8-1000-43074

EAN

43074
4251269309557
1
858 mm
150 mm
57 mm
858 mm

□□□□ □□
□□ □□□ □□
□□ :
□□□□□ □□

1.000 mm
835 mm
4 × KEL-U 24 / KEL-
QUICK 24, 1 × KEL-
JUMBO 1
Rittal TS 8



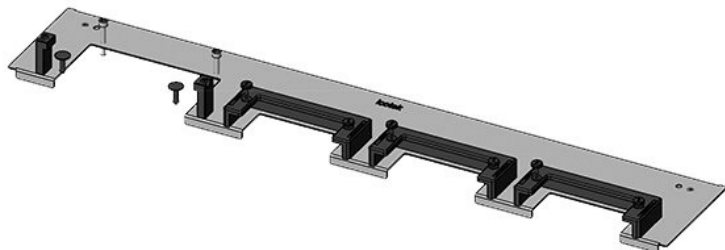
KDR-ESR-TS8-1000-43075

EAN

43075
4251269309564
1
858 mm
150 mm
57 mm
858 mm

□□□□ □□
□□ □□□ □□
□□ :
□□□□□ □□

1.000 mm
835 mm
3 × KEL-U 24 / KEL-
QUICK 24, 1 × KEL-
JUMBO 2
Rittal TS 8



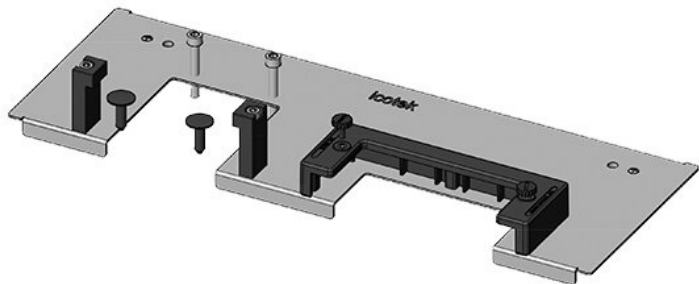
KDR-ESR-TS8-1000-43076

EAN

43076
4251269309571
1
420 mm
150 mm
57 mm
420 mm

□□□□ □□
□□ □□□ □□
□□ :
□□□□□ □□

1.000 mm
398 mm
1 × KEL-U 24 / KEL-
QUICK 24, 1 × KEL-
JUMBO 1
Rittal TS 8



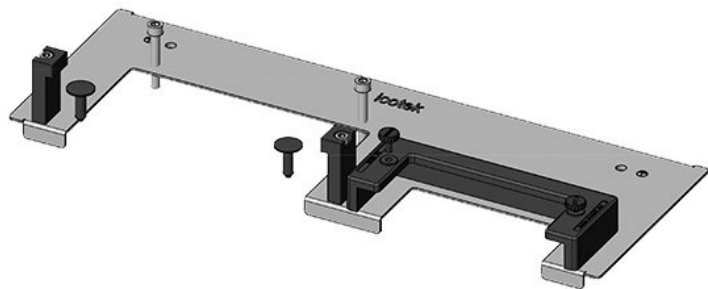
KDR-ESR-TS8-1000-43077

EAN

43077
4251269309588
1
420 mm
150 mm
57 mm
420 mm

□□□□ □□
□□ □□ □□
□□ :
□□□□ □□

1.000 mm
398 mm
1 × KEL-U 24 / KEL-
QUICK 24, 1 × KEL-
JUMBO 2
Rittal TS 8



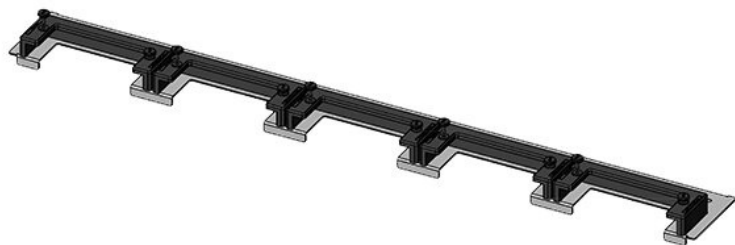
KDR-ESR-TS8-1000-43081

EAN

43081
4251269309625
1
858 mm
100 mm
44 mm
858 mm

□□□□ □□
□□ □□ □□
□□ :
□□□□ □□

1.000 mm
835 mm
5 × KEL-U 24 / KEL-
QUICK 24
Rittal TS 8



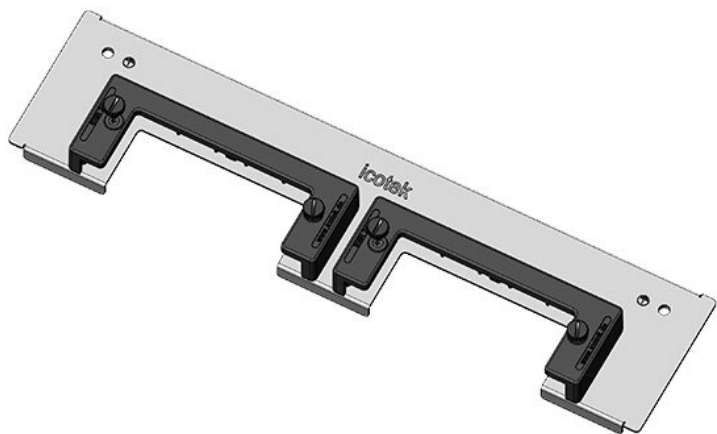
KDR-ESR-TS8-1000-43082

EAN

43082
4251269309632
1
420 mm
100 mm
44 mm
420 mm

□□□□ □□
□□ □□ □□
□□ :
□□□□ □□

1.000 mm
398 mm
2 × KEL-U 24 / KEL-
QUICK 24
Rittal TS 8



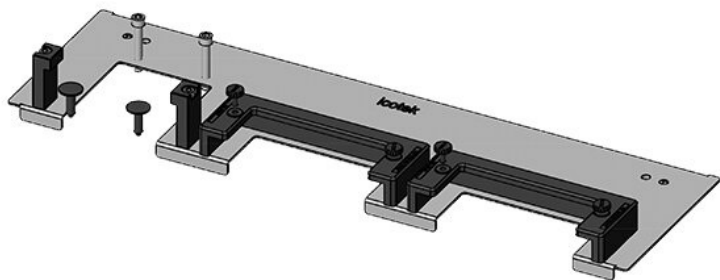
KDR-ESR-TS8-1200-43078

EAN

43078
4251269309595
1
518 mm
150 mm
57 mm
518 mm

□□□□ □□
□□ □□ □□
□□ :
□□□□ □□

1.200 mm
495 mm
2 × KEL-U 24 / KEL-
QUICK 24, 1 × KEL-
JUMBO 1
Rittal TS 8



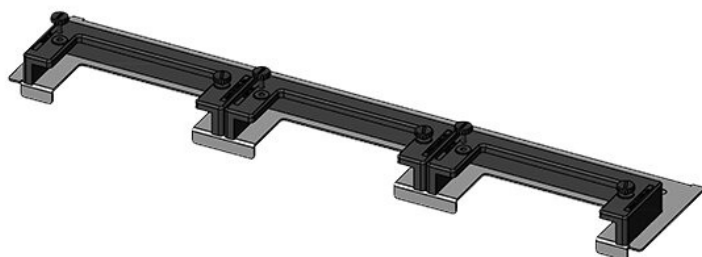
KDR-ESR-TS8-1200-43083

EAN

43083
4251269309649
1
518 mm
100 mm
44 mm
518 mm

□□□□ □□
□□ □□ □□
□□ :
□□□□ □□

1.200 mm
495 mm
3 × KEL-U 24 / KEL-
QUICK 24
Rittal TS 8



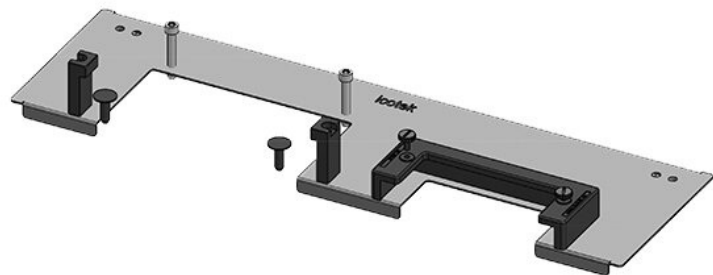
KDR-ESR-TS8-1200-43084

EAN

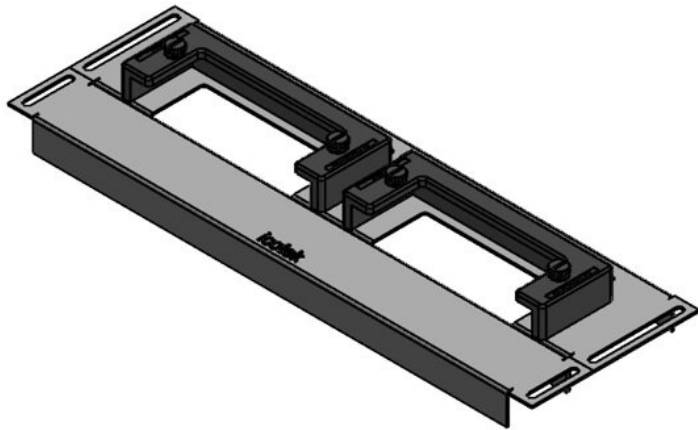
43084
4251269309656
1
518 mm
150 mm
57 mm
518 mm

□□□□ □□
□□ □□ □□
□□ :
□□□□ □□

1.200 mm
495 mm
1 × KEL-U 24 / KEL-
QUICK 24, 1 × KEL-
JUMBO 2
Rittal TS 8



KDR-ESR-HW-600 + □□□ □□□□



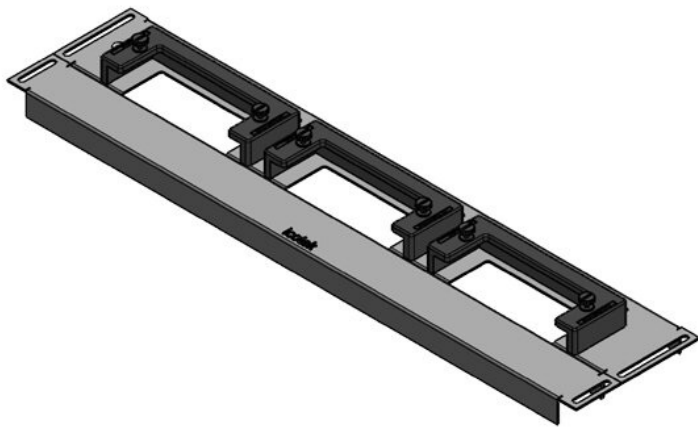
EAN

44520
4251269324543
1
427 mm
136 mm
56 mm
427 mm

□□□□ □□
□□ □□□ □□
□□ :
□□□□□ □□

600 mm
392 mm
2 × KEL-U 24 / KEL-
QUICK 24
Häwa H390 / H395

KDR-ESR-HW-800 + □□□ □□□□



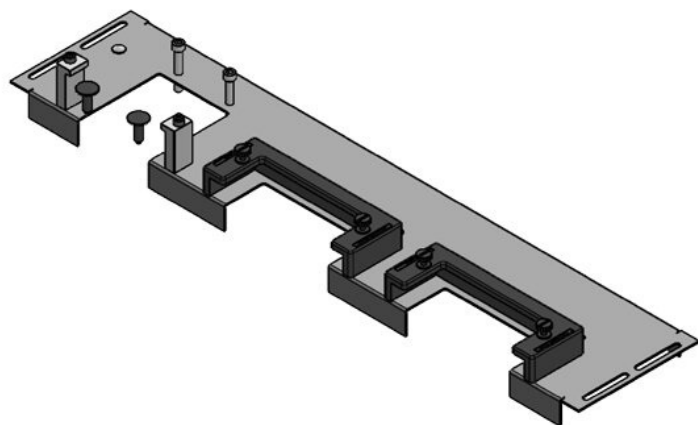
EAN

44521
4251269324550
1
627 mm
136 mm
59 mm
627 mm

□□□□ □□
□□ □□□ □□
□□ :
□□□□□ □□

800 mm
592 mm
3 × KEL-U 24 / KEL-
QUICK 24
Häwa H390 / H395

KDR-ESR-HW-800



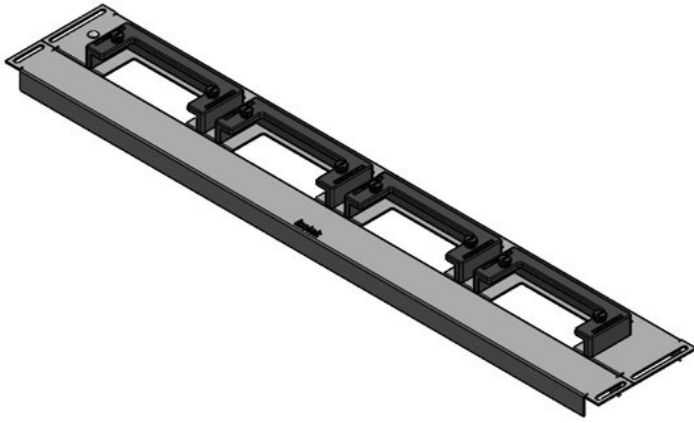
EAN

44522
4251269324567
1
627 mm
133 mm
70 mm
627 mm

□□□□ □□
□□ □□□ □□
□□ :
□□□□□ □□

800 mm
592 mm
2 × KEL-U 24 / KEL-
QUICK 24, 1 × KEL-
JUMBO 1
Häwa H390 / H395

KDR-ESR-HW-1000 + □□□ □□□□



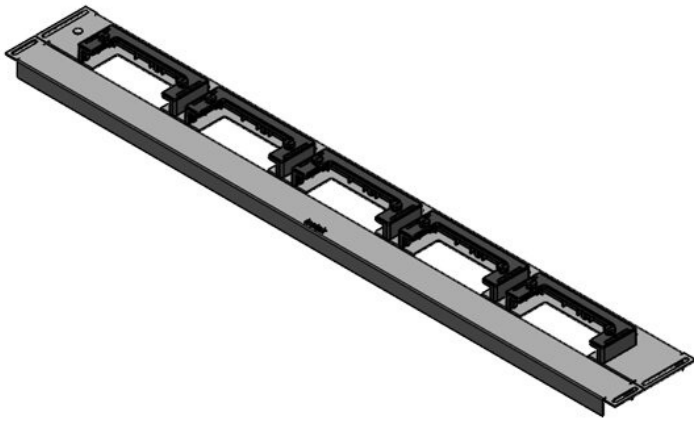
EAN

44523
4251269324574
1
827 mm
136 mm
56 mm
827 mm

□□□□ □□
□□ □□□ □□
□□ :
□□□□□ □□

1.000 mm
792 mm
4 × KEL-U 24 / KEL-
QUICK 24
Häwa H390 / H395

KDR-ESR-HW-1200 + □□□ □□□□



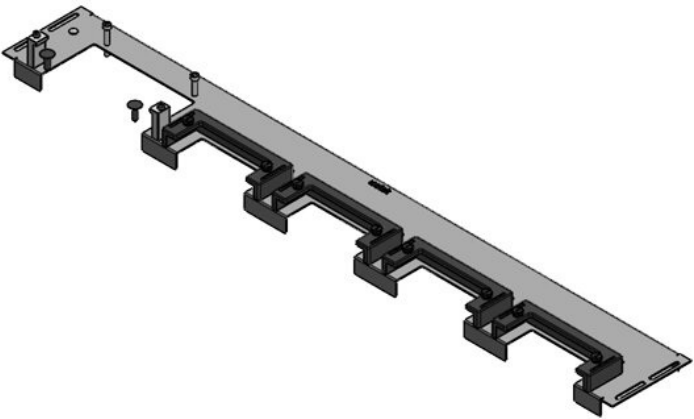
EAN

44524
4251269324581
1
1.027 mm
136 mm
56 mm
1.027 mm

□□□□ □□
□□ □□□ □□
□□ :
□□□□□ □□

1.200 mm
992 mm
5 × KEL-U 24 / KEL-
QUICK 24
Häwa H390 / H395

KDR-ESR-HW-1200-1



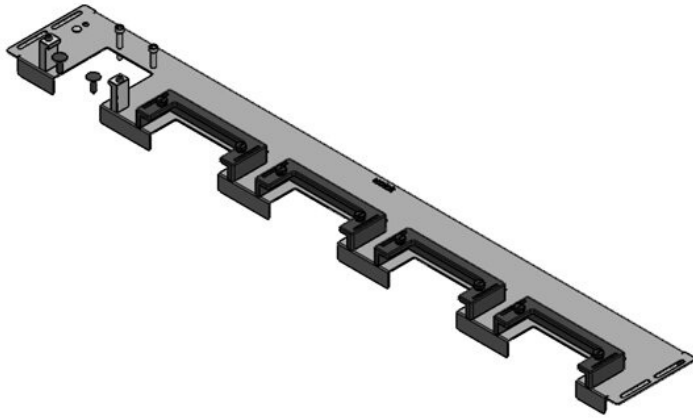
EAN

44526
4251269324604
1
1.027 mm
133 mm
70 mm
1.027 mm

□□□□ □□
□□ □□□ □□
□□ :
□□□□□ □□

1.200 mm
992 mm
4 × KEL-U 24 / KEL-
QUICK 24, 1 × KEL-
JUMBO 1
Häwa H390 / H395

KDR-ESR-HW-1200-1



EAN

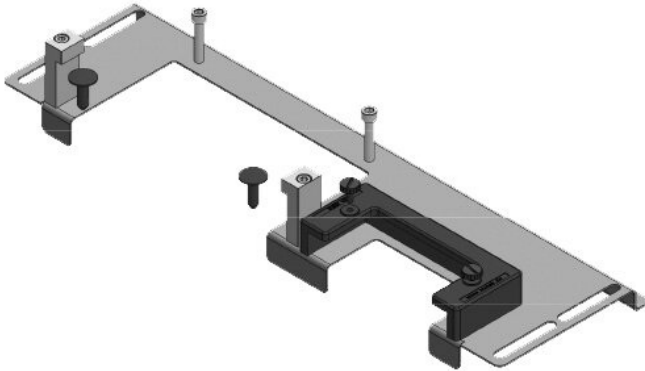
44525
4251269324598
1
1.027 mm
133 mm
70 mm
1.027 mm

□□□□ □□
□□ □□□ □□
□□ :

□□□□□ □□

1.200 mm
992 mm
4 × KEL-U 24 / KEL-
QUICK 24, 1 × KEL-
JUMBO 2
Häwa H390 / H395

KDR-ESR-HG2-600-43250



EAN

43250
4251269317033
1
432 mm
131,5 mm
62,3 mm
432 mm

□□□□ □□
□□ □□□ □□
□□ :

□□□□□ □□

600 mm
368 mm
1 × KEL-U 16 / KEL-
QUICK 16, 1 × KEL-
JUMBO 2
nVent Hoffman
PROLINE G2

KDR-ESR-HG2-600-43251



EAN

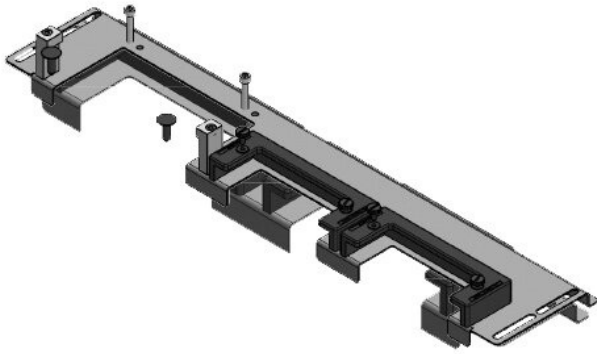
43251
4251269317040
1
432 mm
81 mm
52,8 mm
432 mm

□□□□ □□
□□ □□□ □□
□□ :

□□□□□ □□

600 mm
368 mm
2 × KEL-U 24 / KEL-
QUICK 24
nVent Hoffman
PROLINE G2

KDR-ESR-HG2-800-43252



EAN

43252
4251269317057
1
632 mm
131,5 mm
45 mm
632 mm

□□□□ □□
□□ □□ □□
□□ :
□□□□ □□

800 mm
568 mm
2 × KEL-U 24 / KEL-
QUICK 24, 1 × KEL-
JUMBO 2
nVent Hoffman
PROLINE G2

KDR-ESR-HG2-800-43253



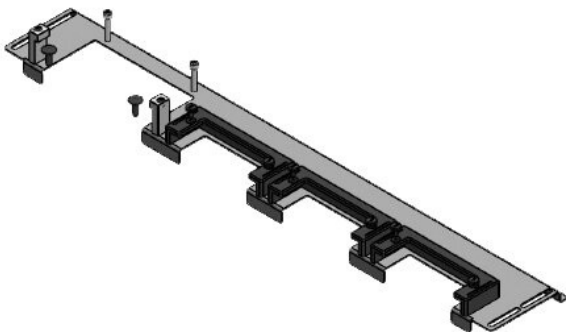
EAN

43253
4251269317064
1
632 mm
81 mm
52,8 mm
632 mm

□□□□ □□
□□ □□ □□
□□ :
□□□□ □□

800 mm
568 mm
3 × KEL-U 24 / KEL-
QUICK 24
nVent Hoffman
PROLINE G2

KDR-ESR-HG2-1000-43254



EAN

43254
4251269317071
1
832 mm
131,5 mm
41,3 mm
832 mm

□□□□ □□
□□ □□ □□
□□ :
□□□□ □□

1.000 mm
768 mm
3 × KEL-U 24 / KEL-
QUICK 24, 1 × KEL-
JUMBO 2
nVent Hoffman
PROLINE G2

KDR-ESR-HG2-1000-43255

EAN

43255

4251269317088

1

832 mm

81 mm

52,8 mm

832 mm

□□□□ □□

□□ □□ □□

□□ :

□□□□ □□

1.000 mm

768 mm

4 × KEL-U 24 / KEL-

QUICK 24

nVent Hoffman

PROLINE G2



icotek[®]
smart cable management